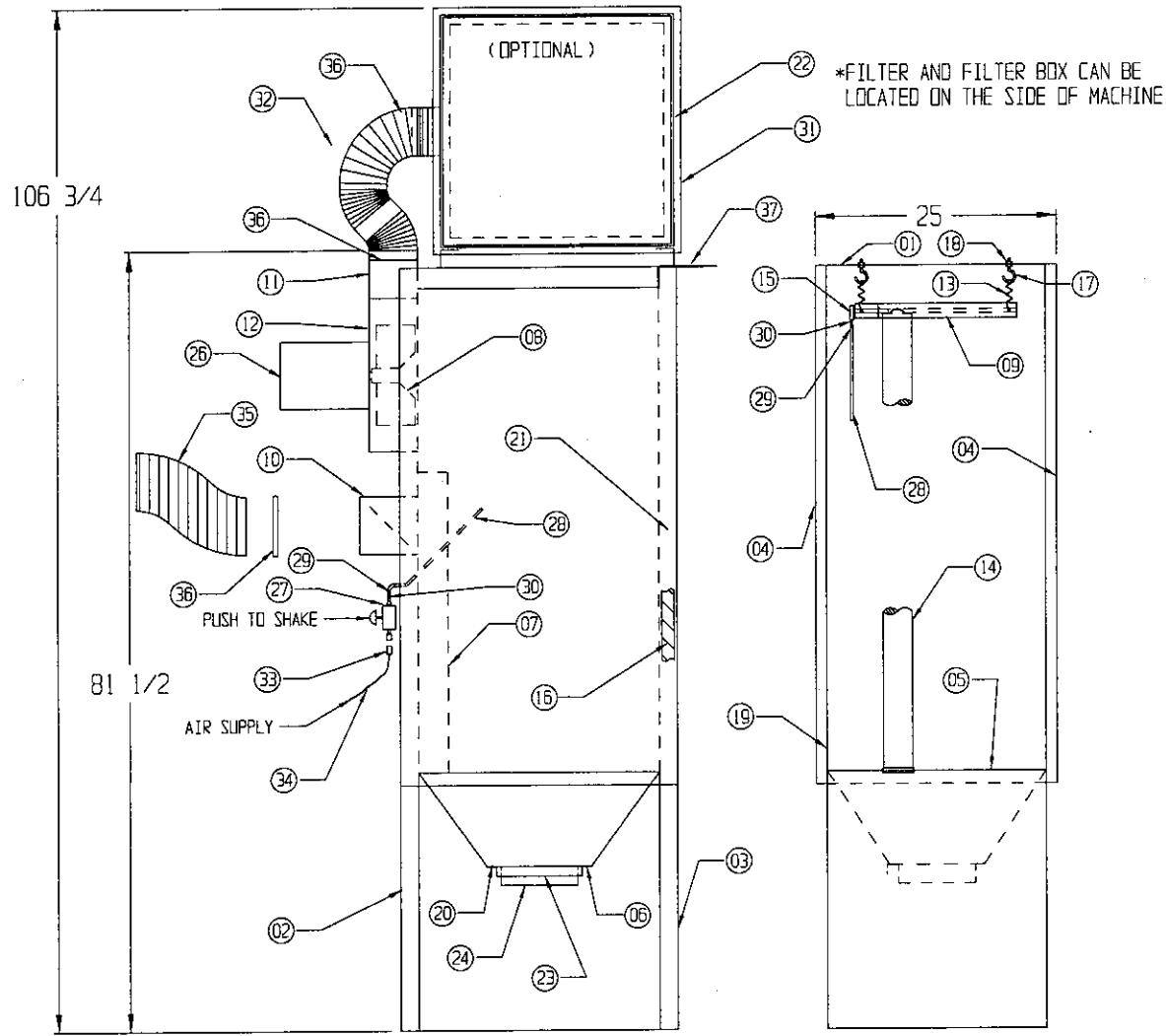


B2129



38		CUT SHEET	A2502
37	1	HEPA BOX EXTENSION SUPPORT	A2638
36	4	SCREW CLAMP (6")	21-036
35	5'	FLEX HOSE (6")	19-096
34	6"	1/4" PLASTIC HOSE	18-111
33	1	MALE CONNECTOR	000718
32	3'	FLEX HOSE (6")	19-096
31	1	HEPA BOX (OPTIONAL)	A35025
30	2	1/8" x 1/4" HOSE BARB	14-316
29	2	1/4" SCREW CLAMPS	000496
28	3'	1/4" AIR HOSE	18-074
27	1	SHAKER VALVE 1/8"	16-830
26	1	MOTOR IHP-110V 56C	13-700
25			
24	1	OUTLET FLANGE 8" DIA.	000725
23	1	SLIDE GATE	000324
22	1	HEPA FILTER	006568
21	6	1/4" WING NUT	000305
20	80	1/4" x 3/4" LG. ROLLOX	000301
19	12	1/4" x 1" LG. ROLLOX	000377
18	8	3/16" HEX NUT	000378
17	4	3/16" EYE BOLT	000379
16	50'	1/2" x 1" GASKET	24-054
15	1	SHAKER	16-919
14	25	DUST BAG	11-349
13	4	SPRING	000347
12	1	BLOWER/MOTOR PLATE	11-720
11	1	BLOWER HOUSING ASS'Y.	11-716
10	1	INLET DAMPER ASS'Y. (6" DIA.)	000723
09	1	DUST BAG MOUNT ASS'Y.	A2501
08	1	BLADE ASS'Y.	11-718
07	1	D-10 PLENUM ASS'Y.	000335
06	1	SPACER	000329
05	1	SUMP ASS'Y.	A2500
04	2	DOOR PANEL	A2486
03	1	RIGHT SIDE PANEL	A2485-1
02	1	LEFT SIDE PANEL	A2484-1
01	1	TOP PLATE	A2487-1
ITEM NO.	QTY.	DESCRIPTION	DWG. NO. / MATERIAL

LARRY HESS & ASSOCIATES, INC.
SALISBURY, NORTH CAROLINA

CONFIDENTIAL

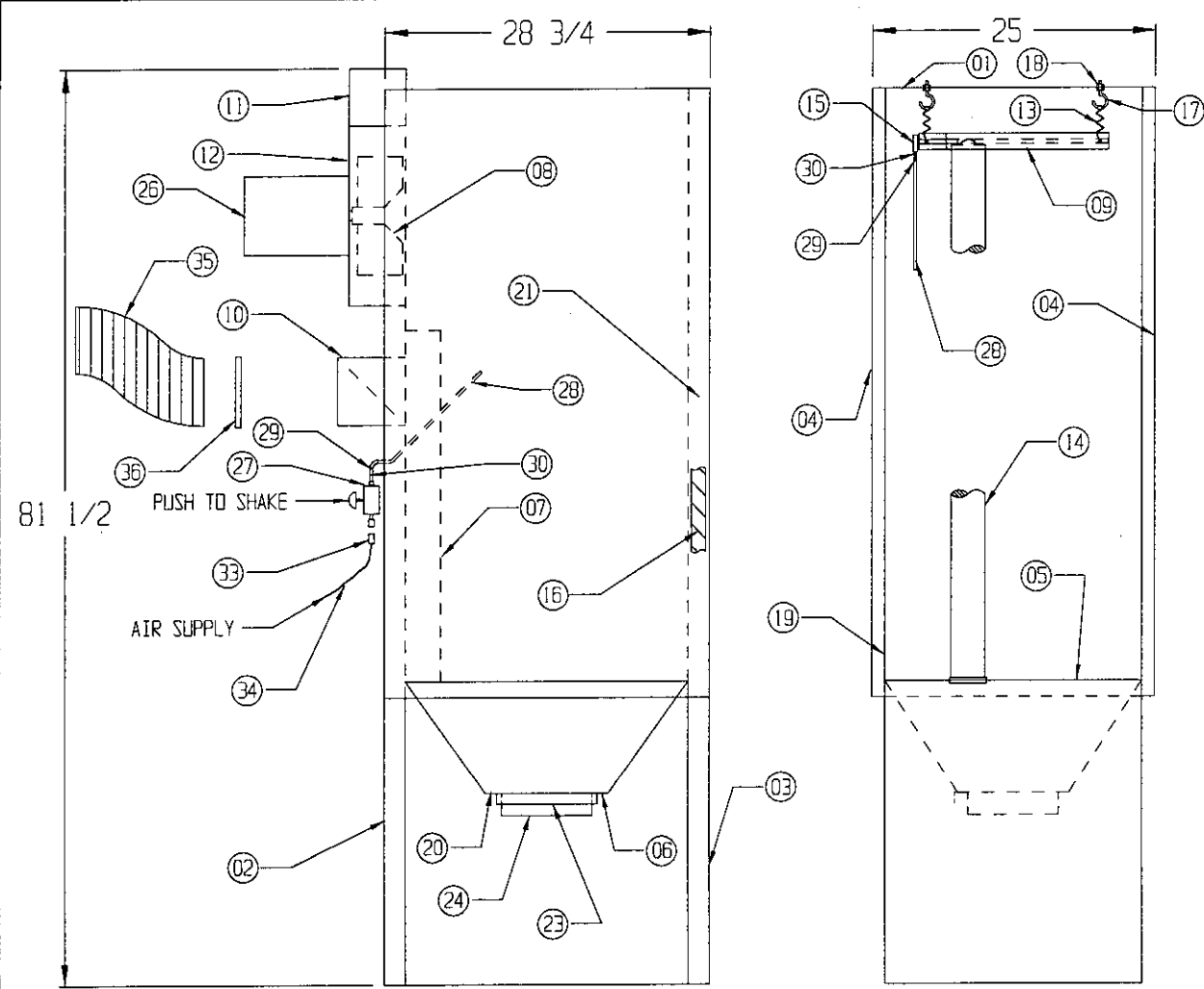
THE DISCLOSURES AND CONTENTS OF THIS DRAWING ARE CONFIDENTIAL AND ARE THE EXCLUSIVE PROPERTY OF BLAST-IT-ALL (an) A DIV. OF LARRY HESS & ASSOCIATES, INC. THIS DRAWING IS NOT TO BE COPIED OR REPRODUCED WHOLLY OR IN PART WITHOUT WRITTEN PERMISSION OF LARRY HESS & ASSOCIATES, INC.

REV.	DESCRIPTION	BY	DATE

DESCRIPTION:		(700 C.F.M.)		MATERIAL:	
D-10 DUST COLLECTOR ASS'Y.		PER DWG.		DRAWING NO.:	
DATE:	02/10/95	SCALE:	5/64"=1"	JOB NO.:	STD.
DATE:		PROJECT:		REV. ASS'Y.:	
DATE:		DESIGN:			
DATE:		WEEK:			

B2129

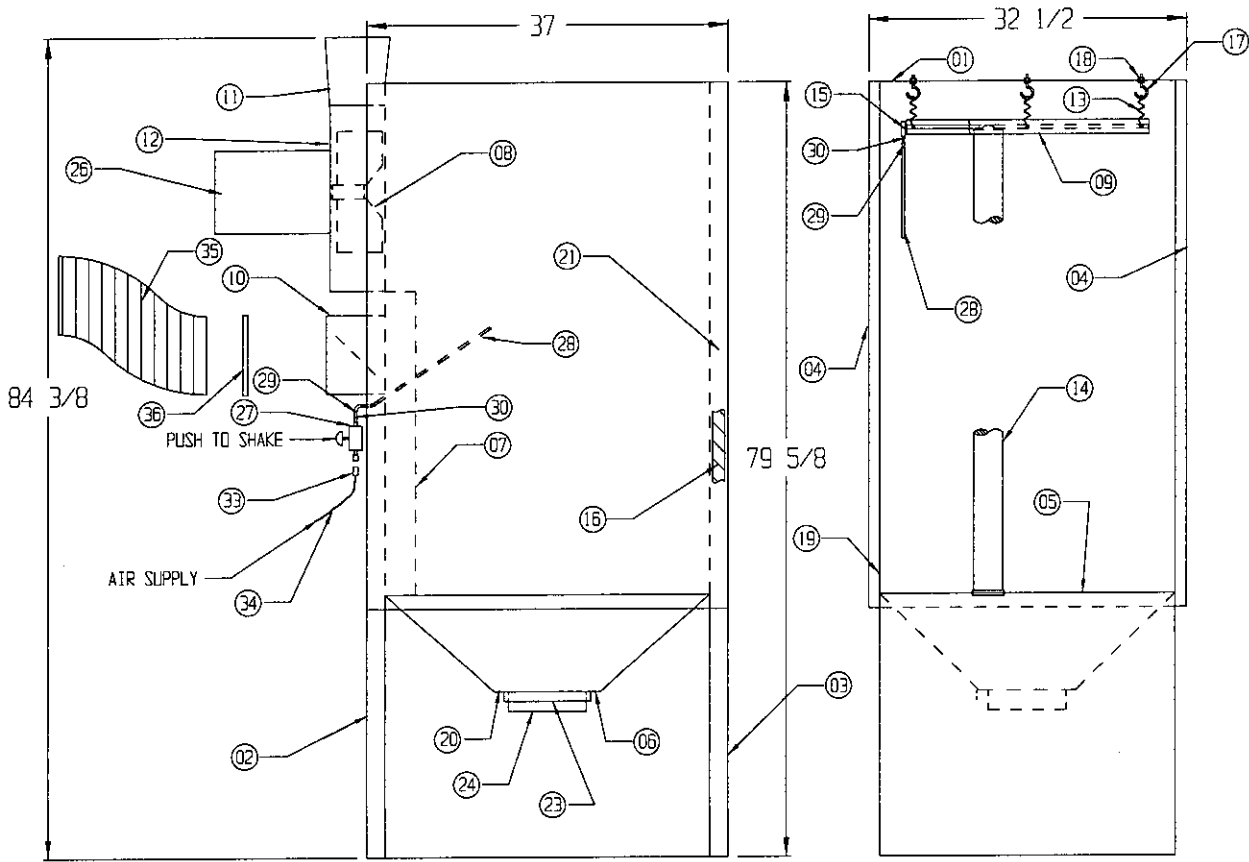
B2129



38			
37			
36	2	SCREW CLAMP	21-036
35	5'	FLEX HOSE (6")	19-096
34	6'	1/4" PLASTIC HOSE	18-111
33	1	MALE CONNECTOR	16-951
32			
31			
30	2	1/8" x 1/4" HOSE BARB	14-316
29	2	1/4" SCREW CLAMPS	000496
28	3'	1/4" ATR HOSE	18-074
27	1	SHAKER VALVE 1/8"	16-830
26	1	MOTOR 1HP-110V 56C	13-700
25			
24	1	OUTLET FLANGE 6" DIA.	000725
23	1	SLIDE GATE	000324
22			
21	6	1/4" WING NUT	000305
20	60	1/4" x 3/4" LG. ROLLOX	000301
19	12	1/4" x 1" LG. ROLLOX	000377
18	8	3/16" HEX NUT	000378
17	4	3/16" EYE BOLT	000379
16	50'	1/2" x 1" GASKET	24-054
15	1	SHAKER	16-919
14	25	DUST BAG	11-349
13	4	SPRING	15-721
12	1	BLOWER/MOTOR PLATE	11-720
11	1	BLOWER HOUSING ASS'Y.	11-716
10	1	INLET DAMPER ASS'Y. (6" DIA.)	000723
09	1	DUST BAG MOUNT ASS'Y.	A2501
08	1	BLADE ASS'Y.	11-718
07	1	D-10 PLENUM ASS'Y.	000335
06	1	SPACER	000329
05	1	SUMP ASS'Y.	A2500
04	2	DOOR PANEL	A2486
03	1	RIGHT SIDE PANEL	A2485-1
02	1	LEFT SIDE PANEL	A2484-1
01	1	TOP PLATE	A2487-1
ITEM NO.	QTY.	DESCRIPTION	DWG. NO. / MATERIAL

LARRY HESS & ASSOCIATES, INC.
SALISBURY, NORTH CAROLINA

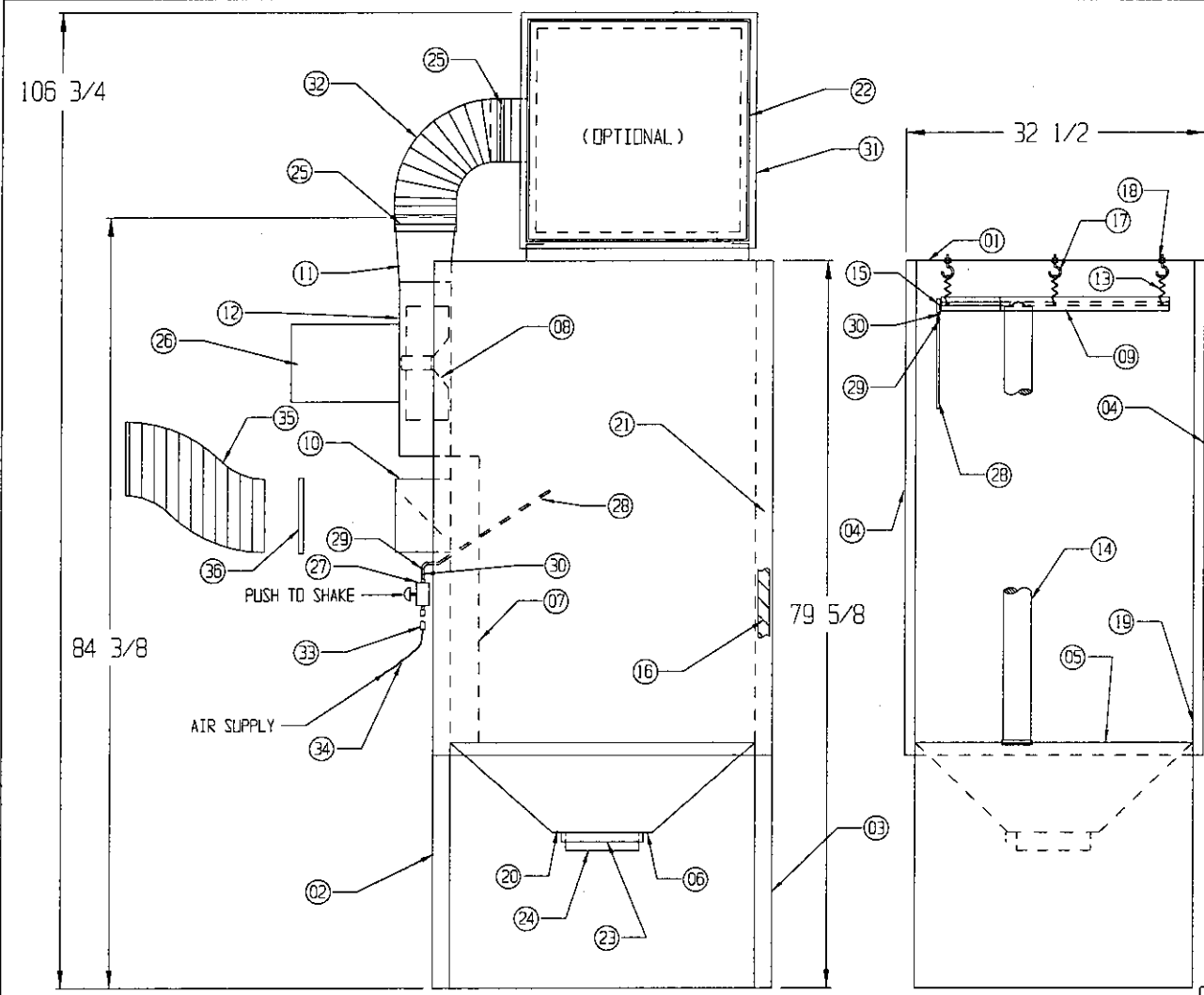
DESCRIPTION:		700 CFM D-10 DUST COLLECTOR ASS'Y.	MATERIAL: PER DWG.	
DATE:	02/10/95	SCALE:	3/32"=1"	DRAWING NO.:
DWG. BY:		APPROVED:		B2129



38			
37			
36	2	SCREW CLAMP (8")	21-038
35	8'	FLEX HOSE (8')	19-098
34	6'	1/4" PLASTIC HOSE	18-111
33	1	MALE CONNECTOR	000718
32	1	FLEX HOSE (7")	19-097
31	1	HEPA BOX (OPTIONAL)	A35025
30	2	1/8" x 1/4" HOSE BARB	14-316
29	2	1/4" SCREW CLAMPS	000496
28	3'	1/4" AIR HOSE	18-074
27	1	SHAKER VALVE 1/8"	16-830
26	1	MOTOR 2HP-220/440V 3PH	13-900
25	2	SCREW CLAMP (7")	21-037
24	1	OUTLET FLANGE 8" DIA.	000725
23	1	SLIDE GATE	000324
22	1	HEPA FILTER	006568
21	6	1/4" WING NUT	000305
20	80	1/4" x 3/4" LG. ROLLOX	000301
19	12	1/4" x 1" LG. ROLLOX	000377
18	12	3/16" HEX NUT	000378
17	6	3/16" EYE BOLT	000379
16	50'	1/4" x 1" GASKET	000307
15	1	SHAKER	16-919
14	49	DUST BAG	11-349
13	6	SPRING	000347
12	1	BLOWER/MOTOR PLATE	11-920
11	1	BLOWER HOUSING ASS'Y.	11-916
10	1	INLET DAMPER ASS'Y. (8" DIA.)	001046
09	1	DUST BAG MOUNT ASS'Y.	A2507
08	1	BLADE ASS'Y.	11-718
07	1	D-20 PLENUM ASS'Y.	001051
06	1	SPACER	000329
05	1	SUMP ASS'Y.	A2506
04	2	DOOR PANEL	A2492
03	1	RIGHT SIDE PANEL	A2495
02	1	LEFT SIDE PANEL	A2496
01	1	TOP PLATE	A2494
ITEM NO.	QTY.	DESCRIPTION	DWG. NO. / MATERIAL

LARRY HESS & ASSOCIATES, INC.
SALISBURY, NORTH CAROLINA

DESCRIPTION:		MATERIAL:	
D-20 DUST COLLECTOR ASS'Y.		PER DWG.	
DATE BY:	DATE:	SCALE:	APPROVED:
DEC	02/23/95	5/8"=1"	STD.
DATE BY:	DATE:	PREPARED BY:	DATE:
DEC	02/17/95		
DRAWING NO.:			B2131



38			
37		CUT SHEET	A2508
36	2	SCREW CLAMP (8")	21-038
35	8'	FLEX HOSE (8")	19-098
34	6'	1/4" PLASTIC HOSE	18-111
33	1	MALE CONNECTOR	000718
32	1	FLEX HOSE (7")	19-097
31	1	HEPA BOX (OPTIONAL)	A35025
30	2	1/8" x 1/4" HOSE BARB	14-316
29	2	1/4" SCREW CLAMPS	000496
28	3'	1/4" AIR HOSE	18-074
27	1	SHAKER VALVE 1/8"	16-830
26	1	MOTOR 2HP-220/440V 3PH	13-900
25	2	SCREW CLAMP (7")	21-037
24	1	OUTLET FLANGE 8" DIA.	000725
23	1	SLIDE GATE	000324
22	1	HEPA FILTER	006568
21	6	1/4" WING NUT	000305
20	80	1/4" x 3/4" LG. ROLLOX	000301
19	12	1/4" x 1" LG. ROLLOX	000377
18	12	3/16" HEX NUT	000378
17	6	3/16" EYE BOLT	000379
16	50'	1/4" x 1" GASKET	000307
15	1	SHAKER	16-919
14	49	DUST BAG	11-349
13	6	SPRING	000347
12	1	BLOWER/MOTOR PLATE	11-920
11	1	BLOWER HOUSING ASS'Y.	11-916
10	1	INLET DAMPER ASS'Y. (8" DIA.)	001046
09	1	DUST BAG MOUNT ASS'Y.	A2507
08	1	BLADE ASS'Y.	11-718
07	1	D-20 PLENUM ASS'Y.	001051
06	1	SPACER	000329
05	1	SUMP ASS'Y.	A2506
04	2	ODDR PANEL	A2492
03	1	RIGHT SIDE PANEL	A2495
02	1	LEFT SIDE PANEL	A2496
01	1	TOP PLATE	A2494
ITEM NO.	QTY.	DESCRIPTION	DWG. NO. / MATERIAL

CONFIDENTIAL

THE DISCLOSURES AND CONTENTS OF THIS DRAWING ARE CONFIDENTIAL AND ARE THE EXCLUSIVE PROPERTY OF BLAST-IT-ALL, A DIV. OF LARRY HESS & ASSOCIATES, INC. THIS DRAWING IS NOT TO BE COPIED OR REPRODUCED WHOLLY OR IN PART WITHOUT WRITTEN PERMISSION OF LARRY HESS & ASSOCIATES, INC.

LARRY HESS & ASSOCIATES, INC.
SALTSBURY, NORTH CAROLINA

DESCRIPTION:		MATERIAL:	
D-20 DUST COLLECTOR ASS'Y.		PER DWG.	
DATE:	02/23/95	SCALE:	5/64" ± 1"
BY:		STG.	
DEC:	07/17/95	REV. ASS'Y.	
		DRAWING NO.:	
		B2131-1	

REV.	DESCRIPTION	BY	DATE